

# ADAPTER

## OVERVIEW



**QM 5** (37 g)  
IS-203-F



**QM 9** (50 g)  
IS-203-R



**QM 12** (30 g)  
IS-160-R /  
IS-180-F



**QM 44** (37 g)  
PM 180-203



**QM 45** (34 g)  
PM 140-180  
PM 180-220



**QM 46** (37 g)  
PM 203-220



**QM 40** (39 g)  
PM 160-180  
PM 140-160  
PM 200-220



**QM 41** (37 g)  
IS-180-R



**QM 42** (34 g)  
PM 160-203



**QM 43** (30 g)  
IS-160-F



**QM 50** (11 g)  
FM 140/160 - 160F  
FM 160/180 - 180F



**QM 51** (10 g)  
FM 140/160 - 160R  
FM 160/180 - 180R



**QM 52** (10 g)  
FM 160/160 - 160F



**Spacer** (1,5 mm)  
PM 200-203  
PM direct mount  $\varnothing$  200 mm  
(RockShox ZEB)

### ABS Adapter



**QM 44 WSS** (24 g)  
PM + 23 mm



**QM 40 WSS** (18 g)  
PM + 20 mm



**QM 41 WSS** (28 g)  
IS-180-R

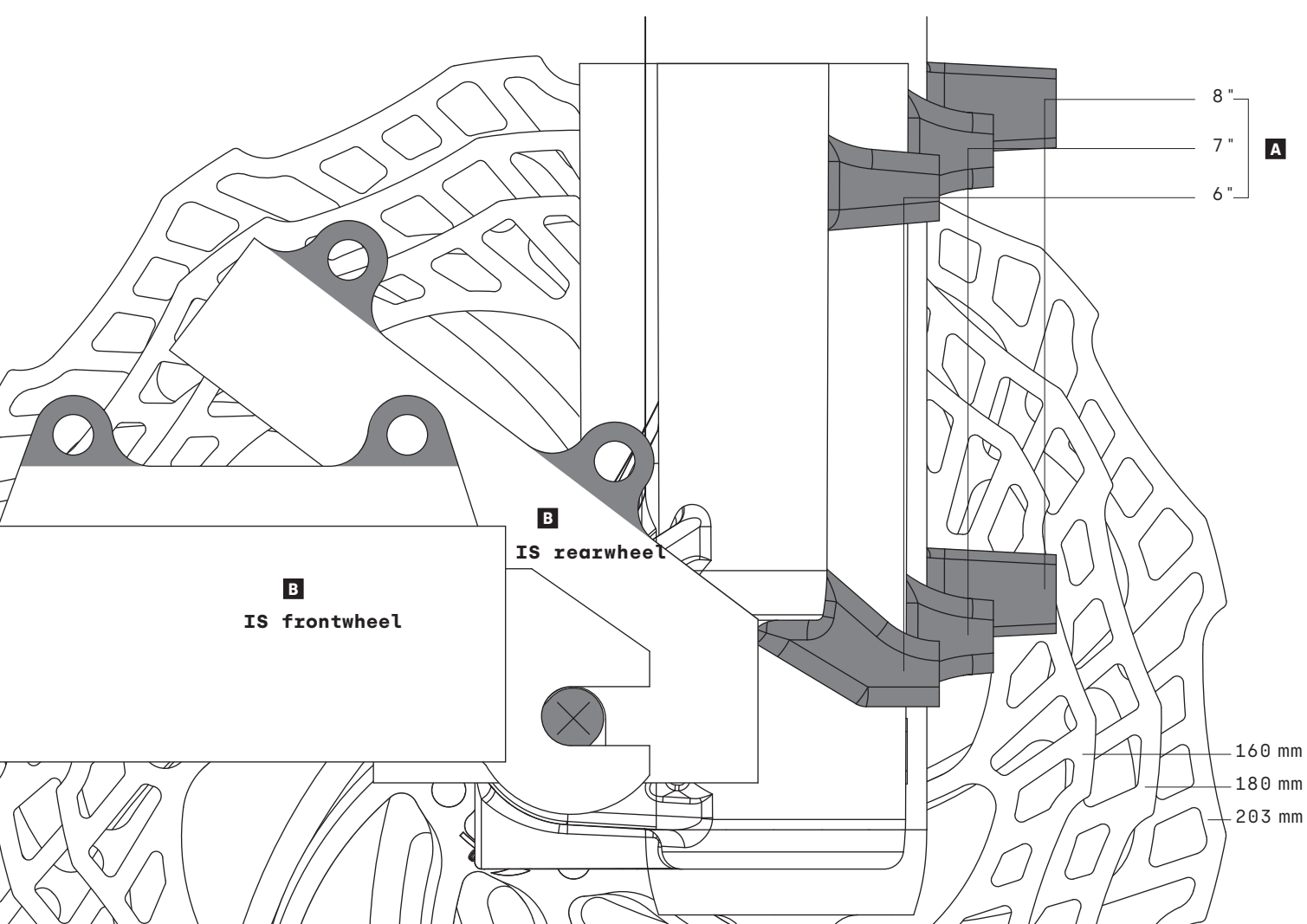


**QM 42 WSS** (23 g)  
PM + 43 mm



**QM 45 WSS** (33 g)  
PM + 40 mm

| Rotor diameter     | $\varnothing$ 160 mm | Order No. | $\varnothing$ 180 mm | Order No. | $\varnothing$ 203 mm | Order No. | $\varnothing$ 220 mm | Order No. |
|--------------------|----------------------|-----------|----------------------|-----------|----------------------|-----------|----------------------|-----------|
| <b>Fork</b>        |                      |           |                      |           |                      |           |                      |           |
| PM 160 (PM 6")     | direct               |           | QM 40                | 2 700 515 | QM 42                | 2 700 517 |                      |           |
| PM 160 (PM 6") ABS |                      |           | QM 40 WSS            | 2 701 636 | QM 42 WSS            | 2 702 698 |                      |           |
| PM 180 (PM 7")     |                      |           | direct               |           | QM 44                | 2 701 967 | QM 45                | 2 701 940 |
| PM 180 (PM 7") ABS |                      |           |                      |           | QM 44 WSS            | 2 702 932 | QM 45 WSS            | 2 702 699 |
| PM 200 (PM 8")     |                      |           |                      |           | Spacer 1,5 mm        | 2 702 538 | QM 40                | 2 700 515 |
| PM 203 (PM 8")     |                      |           |                      |           | direct               |           | QM 46                | 2 702 193 |
| PM 220             |                      |           |                      |           |                      |           | direct               |           |
| IS                 | QM 43                | 2 700 518 | QM 12                | 0 722 426 | QM 5                 | 0 722 321 |                      |           |
| FM-F140/160        | QM 50                | 2 701 598 |                      |           |                      |           |                      |           |
| FM-F160/180        | QM 52                | 2 702 055 | QM 50                | 2 701 598 |                      |           |                      |           |
| <b>Frame</b>       |                      |           |                      |           |                      |           |                      |           |
| PM 140 (PM 5")     | QM 40                | 2 700 515 | QM 45                | 2 701 940 |                      |           |                      |           |
| PM 160 (PM 6")     | direct               |           | QM 40                | 2 700 515 | QM 42                | 2 700 517 |                      |           |
| PM 160 (PM 6") ABS |                      |           | QM 40 WSS            | 2 701 636 | QM 42 WSS            | 2 702 698 |                      |           |
| PM 180 (PM 7")     |                      |           | direct               |           | QM 44                | 2 701 967 | QM 45                | 2 701 940 |
| PM 180 (PM 7") ABS |                      |           |                      |           | QM44 WSS             | 2 702 932 | QM 45 WSS            | 2 702 699 |
| PM 200 (PM 8")     |                      |           |                      |           | Spacer 1,5 mm        | 2 702 538 | QM 40                | 2 700 515 |
| PM 203 (PM 8")     |                      |           |                      |           | direct               |           | QM 46                | 2 702 193 |
| PM 220             |                      |           |                      |           |                      |           | direct               |           |
| IS                 | QM 12                | 0 722 426 | QM 41                | 2 700 516 | QM 9                 | 0 722 325 |                      |           |
| IS ABS             |                      |           | QM 41 WSS            | 2 701 635 |                      |           |                      |           |
| FM-R140/160        | QM 51                | 2 701 600 |                      |           |                      |           |                      |           |
| FM-R160/180        | direct               |           | QM 51                | 2 701 600 |                      |           |                      |           |



# MAGURA Mounting Guide

## Please note

To use this chart align the Centre point X with the centre of the dropout of the fork or frame and rotate until the drawing of the appropriate mount aligns with the one on the frame or fork of the bike in question.

## Post Mount versions

### A. PM, 74 mm centre to centre

Found on almost all newer fork models and many frame mounts it comes in 3 main sizes, (shown), 6" where the caliper fits directly to fit a 160 mm rotor. 7" where the caliper fits directly for use with a 180 mm rotor & 8" where the caliper fits directly for use with a 203 mm rotor. These sizes are without an adaptor. Variation. PM 5" frame mounts that fit with 140 mm rotors are also used on some cross country frames.

» All PM mounting sizes fit to standard PM calipers.

## International standard versions

### B. IS 6", 51 mm centre to centre

Used as the standard mounting size for almost all forks and frames between 1999 and 2008 (except Manitou). IS front and rear wheel are different.

### C. IS 8" (nur IS Vorderrad), 51 mm centre to centre

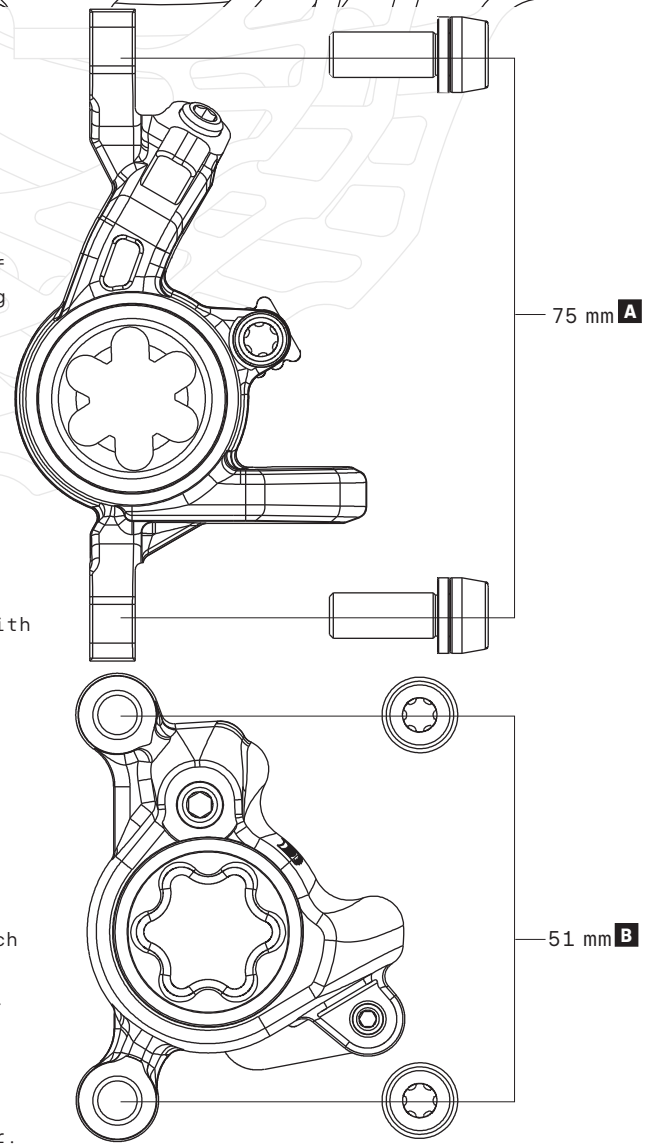
Used up until a few years ago on some DH forks and frames such as Marzocchi Monster, 888 and Fox 40.

» IS 8" fits to all standard IS calipers with 203 mm rotor.

### D. RockShox Boxxer (IS front wheel), 51 mm centre to centre

Similar to IS 8" this size was used almost only on the RockShox Boxxer fork up until 2010.

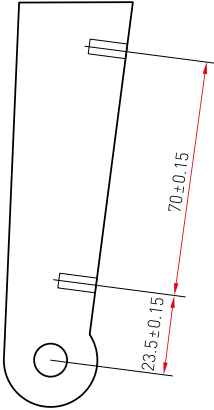
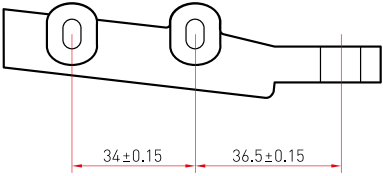
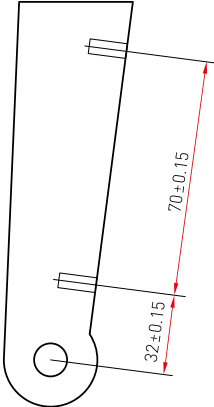
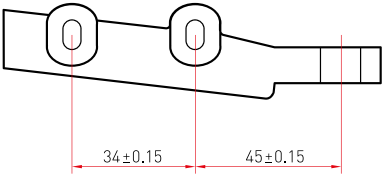
» RS Boxxer mount fits only with special adaptor or caliper.



# ADAPTER

## OVERVIEW

### MAGURA FLAT MOUNT ADAPTER COMPATIBILITY

|          | Fork  | Rotor  | MAGURA Adapter | Frame  | Rotor  | MAGURA Adapter |
|----------|---|--------|----------------|--|--------|----------------|
| F140/160 |   | 140 mm | QM 52          |    | 140 mm | direct         |
|          |   | 160 mm | QM 52          |  | 160 mm | QM 52          |
| F160/180 |  | 160 mm | QM 52          |  | 160 mm | direct         |
|          |   | 180 mm | QM 50          |  | 180 mm | QM 50          |